

Visit www.carrier.com

Installation, Start-up, and Operating instructions

NOTE: Read the entire instruction manual before starting the installation.

This symbol → indicates a change since last issue.

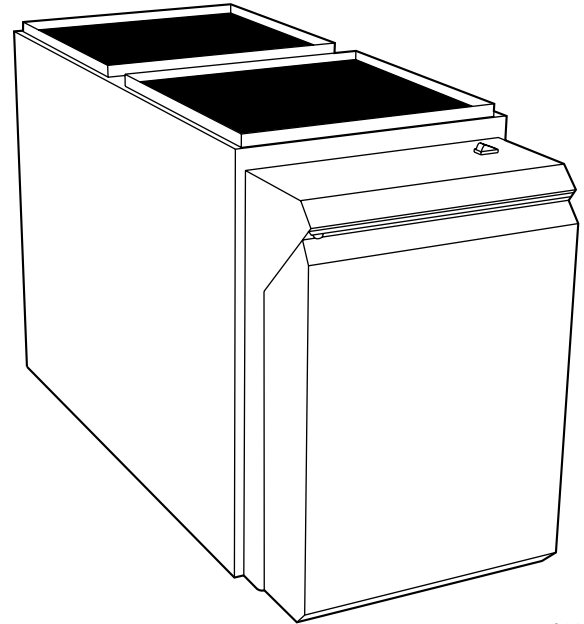
TABLE OF CONTENTS

SAFETY CONSIDERATIONS	1
INTRODUCTION	2
LOCATION	3
General	3
Location Relative to Cooling Equipment	3
INSTALLATION	3
Air for Combustion and Ventilation	3
General	3
Unconfined Space	4
Confined Space	4
All Air from Inside the Structure	4
All Air from Outside of Structure	4
Duct Work Recommendations	5
Venting	5
Oil Burner	6
Oil Connections	6
Barometric Draft Control	6
Electrical Connections	6
Filters	6
START-UP, ADJUSTMENT, AND SAFETY CHECKOUT	6
Operational Checkout	6
Combustion Check	7
Fan Adjustment Check	7
Limit Control Check	10
For Year-Round Air Conditioning	10
Heating	10
Cooling	10
Constant Blower Switch	10
MAINTENANCE	10
General	10
Oil Burner	10
Heat Exchanger and Flue Pipe	11
Blower Removal	11

SAFETY CONSIDERATIONS

FOR YOUR SAFETY

DO NOT STORE OR USE GASOLINE OR OTHER FLAMMABLE VAPORS AND LIQUIDS IN THE VICINITY OF THIS OR ANY OTHER APPLIANCE. DO NOT ATTEMPT TO START THE BURNER WHEN EXCESS OIL HAS ACCUMULATED, WHEN THE FURNACE IS FULL OF VAPOR, OR WHEN THE COMBUSTION CHAMBER IS VERY HOT.



A96280

Fig. 1—58CLA Low-Boy Oil Furnace

⚠ WARNING

For use with grade 1 or 2 Fuel Oil. Do not use Gasoline, Crankcase Oil, or any Oil containing Gasoline! Failure to follow this warning could lead to sooting, fire, explosion, and/or severe bodily harm.

⚠ CAUTION

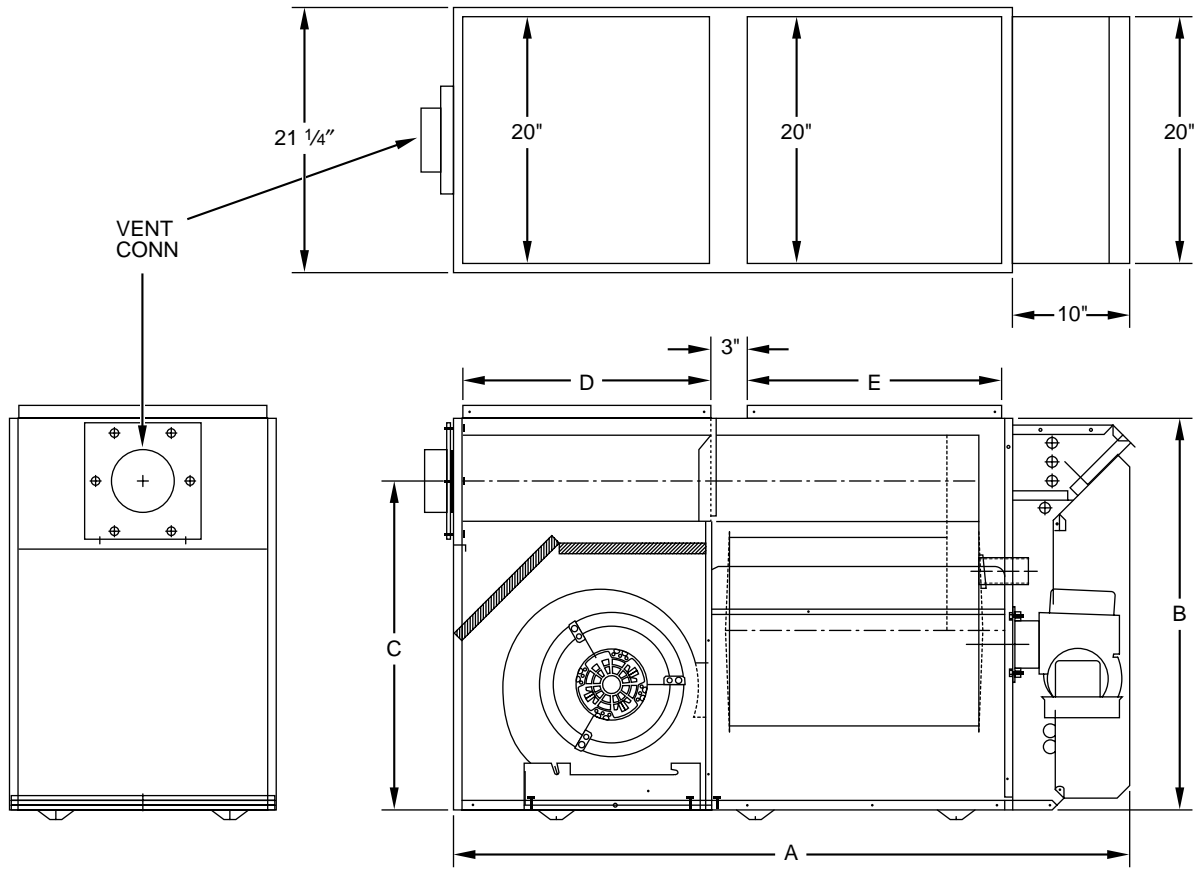
Never burn garbage or paper in the heating system and never leave rags, paper, or any flammable items around the unit. Failure to follow this caution will result in minor unit or property damage.

⚠ CAUTION

These instructions are intended to be used by qualified personnel who have been trained in installing this type of furnace. Installation of this furnace by an unqualified person may lead to equipment damage and/or a hazardous condition which may lead to bodily harm.

All local and national code requirements governing installation of oil burning equipment, wiring, and flue connections must be followed. Some of the codes (issued by the Canadian Standards Association, the National Fire Protection Agency, and/or the American National Standards Institute) that may be applicable are: ANSI/NFPA 31: INSTALLATION OF OIL BURNING EQUIPMENT

Manufacturer reserves the right to discontinue, or change at any time, specifications or designs without notice and without incurring obligations.



A98009

Dimension (IN.)

UNIT SIZE	UNIT DIMENSIONS			FLUE HEIGHT	RETURN OPENING	SUPPLY OPENING	VENT CONN
	Width	Depth	Height				
		A	B	C	D	E	
105-12	21-1/4	53-3/4	31-1/2	26-1/2	20	20	5
120-20	21-1/4	60-5/32	34-3/4	28-11/32	22	24	6

Fig. 2—Dimensional Drawing

ANSI/NFPA 211: CHIMNEYS, FIREPLACES, VENTS, AND SOLID FUEL BURNING APPLIANCES


ANSI/NFPA 90B: WARM AIR HEATING AND AIR CONDITIONING SYSTEMS

ANSI/NFPA 70: NATIONAL ELECTRICAL CODE

CSA B139: INSTALLATION CODE FOR OIL BURNING EQUIPMENT

CAS C22.1: CANADIAN ELECTRICAL CODE

Only the latest issues of these codes should be used, and are available from either The National Fire Protection Agency, Batterymarch Park, Quincy, MA 02269 or The Canadian Standards Association, 178 Rexdale Blvd., Rexdale, Ontario M9W 1R3.

Recognize safety information. This is the safety-alert symbol . When you see this symbol on the furnace and in instructions or manuals, be alert to the potential for personal injury.

Understand the signal words DANGER, WARNING, CAUTION and NOTE. These words are used with the safety-alert symbol. DANGER identifies the most serious hazards which **will** result in severe personal injury or death. WARNING signifies a hazard which **could** result in personal injury or death. CAUTION is used to identify unsafe practices which **would** result in minor personal injury or product and property damage. NOTE is used to highlight suggestions which **will** result in enhanced installation, reliability, or operation.

INTRODUCTION

The model 58CLA Furnaces are available in 2 sizes. Each size unit can be fired at 3 different rates by a simple nozzle change. Unit 105-12 covers input ranges from 91,000 to 105,000 Btuh, unit 120-20 covers input ranges from 119,000 to 154,000 Btuh.

This furnace is a Low-Boy unit. It may be operated only in the upflow configuration.

The furnace is shipped as a packaged unit, complete with burner and controls. It requires a line voltage (115 vac) connection to control box, a thermostat hook-up as shown on wiring diagram, oil line connection(s), adequate duct work, and connection to a properly sized vent.

The air handling capacity of this furnace is designed for cooling airflow. Refer to Table 12 for expected airflows at various external duct static pressures.

Table 1—Minimum Clearances To Combustible Materials (In.)

UNIT APPLICATION		LOW-BOY
Sides	Furnace	1
	Supply Plenum and Warm-Air Duct Within 6 ft of Furnace	1
Back	Service Clearance	19
Top	Furnace Casing or Plenum	2
	Horizontal Warm-Air Duct Within 6 ft of Furnace	2
Bottom*		0
Flue Pipe	Horizontally or Below Pipe	4
	Vertically Above Pipe	9
Front		8

* Floor may be combustible.

NOTE: Adequate service clearances should be provided over and above these dimensions as required.

LOCATION

Step 1—General

⚠ WARNING

This furnace is not water tight and is not designed for outdoor installation. This furnace shall be installed in such a manner as to protect electrical components from water. Outdoor installation would lead to a hazardous electrical condition and to premature furnace failure.

⚠ WARNING

Do not use this furnace as a construction heater. Use of this furnace as a construction heater exposes furnace to abnormal conditions, contaminated combustion air, and lack of air filters. Failure to follow this warning can lead to premature furnace failure and/or vent failure which could result in a fire hazard and/or bodily harm.

This furnace is approved for reduced clearances to combustible construction, therefore, it may be installed in a closet or similar enclosure. It may be located in a basement or on the same level as area to be heated. In any case, unit should always be installed level. The required minimum clearances for this furnace are specified in Table 1. The furnace should be located as close as possible to chimney or vent in order to keep vent connections short and direct. The furnace should also be located as near as possible to center of air distribution system.

Step 2—Location Relative to Cooling Equipment

When installing furnace with cooling equipment for year-round operation, the following recommendations must be followed for series or parallel airflow:

1. In series airflow applications, coil is mounted after furnace in an enclosure in supply-air stream. The furnace blower used for both heating and cooling airflow.

⚠ WARNING

The coil **MUST** be installed on air discharge side of furnace. Under no circumstances should airflow be such that cooled, conditioned air can pass over furnace heat exchanger. This will cause condensation in heat exchanger and possible failure of heat exchanger which could lead to a fire hazard and/or a hazardous condition which may lead to bodily harm. Heat exchanger failure due to improper installation may not be covered by warranty.

2. In parallel airflow applications, dampers must be provided to direct air over furnace heat exchanger when heat is desired and over cooling coil when cooling is desired.

IMPORTANT: The dampers should be adequate to prevent cooled air from entering furnace. If manually operated, dampers must be equipped with a means to prevent operation of either cooling unit or furnace unless damper is in full cool or heat position.

INSTALLATION

Step 1—Air for Combustion and Ventilation

⚠ WARNING

Installation of this furnace in an area where it will receive contaminated combustion air must be avoided. Such contamination would include the following: ammonia, chlorine, hydrogen sulfide, halogenated hydrocarbons, carbon tetrachloride, cleaning solvents, hydrochloric acid, water softening chemicals, and similar chemicals. Failure to follow this warning will lead to premature rusting of heat exchanger and possible premature furnace failure and/or vent failure which could result in fire hazard and/or bodily harm.

⚠ WARNING

Do not block combustion-air openings in the furnace. Any blockage will result in improper combustion which may result in a fire hazard and/or cause bodily harm.

Step 2—General

This furnace should be installed in a location in which facilities for ventilation permit satisfactory combustion of oil, proper venting, and maintenance of ambient temperature at safe limits under normal conditions of use. The location should not interfere with proper circulation of air within the confined space. (See NFPA-31, Section 1.5.)

In addition to air needed for combustion, process air shall be provided as required for: cooling of equipment or material, controlling dew point, heating, drying, oxidation or dilution, safety exhaust, and odor control.

In addition to air needed for combustion, air shall be supplied for ventilation, including all air required for comfort and proper working conditions for personnel.

The barometric draft regulator (included with furnace) shall be installed in same room or enclosure as furnace in such a manner as to prevent any difference in pressure between regulator and combustion-air supply.

Air requirements for operation of exhaust fans, kitchen ventilation systems, clothes dryers, and fireplaces shall be considered in determining the adequacy of a space to provide combustion-air requirements.

The lack of a proper amount of combustion air can lead to serious furnace operational problems. Some of these problems are:

1. Excessive oil burner after drip and oil fumes.
2. Sooting.

3. Melted ignitor/relay control.
4. Air band or air turbulator settings more open than normal.
5. Lockouts on start-up.

The requirements for combustion and ventilation air depend upon whether the furnace is located in a CONFINED or UNCONFINED space.

Step 3—Unconfined Space

An unconfined space must have at least 50 cu ft for each 1000 Btuh of total input for all the appliances (such as furnaces, clothes dryers, water heaters, etc.) in the space. (See Table 2.)

Table 2—Minimum Floor Area For Unconfined Space

58CLA FURNACE INPUT BTUH	MINIMUM SQ FT WITH 7-1/2 FT CEILING
70,000	467
91,000	607
105,000	700
119,000	793
140,000	933
154,000	1026

In unconfined spaces in buildings of conventional frame, brick, or stone construction, infiltration MAY be adequate to provide air for combustion, ventilation, and dilution of flue gases. This determination must be made on an individual installation basis and must take into consideration the overall volume of unconfined space, the number of windows and ventilation openings, the number of doors to the outside, internal doors which can close off unconfined space, and overall tightness of building construction. Consideration must also be given to the amount of storage items (furniture, boxes, etc.) within the unconfined space which take away from the air volume. Many new buildings and homes (and older ones that have been weatherized) MUST BE considered as being of tight construction, therefore, infiltration will not be sufficient to supply necessary air for combustion and ventilation.

A building can be considered as being of tight construction when:

- Walls and ceilings exposed to outside atmosphere have a continuous water vapor retarder with a rating of 1 perm or less with openings gasketed or sealed, and/or
- Weatherstripping has been added on operable windows and doors, and/or
- Caulking or sealants are applied to areas such as joints around window and door frames; between sole plates and floors; between wall-ceiling joints; between wall panels; at penetrations for plumbing, electrical, and fuel lines; and at other openings.

If combustion and ventilation air must be supplied to an unconfined space from outside, an opening with a FREE AREA of not less than 1 sq in. per 1000 Btuh of total input of all appliances within unconfined space (but not less than 100 sq in.) must be provided. This opening must be located such that it can not be blocked at any time.

Step 4—Confined Space

A confined space has a volume of less than 50 cu ft per 1000 Btuh of the total input rating for all appliances installed in that space.

When furnace is installed in a closet or enclosure, 2 ventilation openings, with OPEN AREA as dimensioned in example below are required for combustion air. The openings should be located about 6 in. from top and bottom of enclosure at front of furnace. (See Table 3.)

Table 3—Combustion Air From Confined Space

58CLA FURNACE INPUT BTUH	LENGTH (IN.)	HEIGHT (IN.)
70,000-105,000	16	8
154,000	20	10

NOTE: In calculating free area, consideration shall be given to blocking effect of louvers, grilles, or screens protecting openings. Screens used shall not be smaller than 1/4 in. mesh and shall be readily accessible for cleaning. If free area through a design of louver or grille is known, it shall be used in calculating size design and free area specified. If design and free area are not known, it may be assumed that wood louvers have 20 percent free area and metal louvers and grilles have 60 percent free area. Louvers shall be fixed in open position or interlocked with furnace so they open automatically at furnace start-up and remain open during furnace operation.

The size of the openings depends upon whether the air comes from outside of the structure or an unconfined space inside the structure.

ALL AIR FROM INSIDE THE STRUCTURE

For a confined space, where air is taken from an interior space, 2 permanent openings of equal area are required. One opening must be within 12 in. of ceiling and the other within 12 in. of floor. Each opening must have a free area of at least 1 sq in. per 1000 Btuh of total input rating but not less than 100 sq in. (See Table 4.)

Table 4—Combustion Air From Unconfined Space

58CLA FURNACE INPUT BTUH	FREE AREA PER OPENING (SQ IN.)
70,000	100
91,000	100
105,000	105
119,000	119
140,000	140
154,000	154

ALL AIR FROM OUTSIDE OF STRUCTURE

If outside air is supplied to a confined space, then the 2 openings must be equal and located as above.

1. If combustion air is taken through a permanent opening directly communicating with the outdoors, the opening shall have a minimum free area of 1 sq in. per 4000 Btuh of total input rating for all equipment in the enclosure.
2. If combustion air is taken from outdoors through vertical ducts, the openings and ducts MUST have at least 1 sq in. of free area per 4000 Btuh of the total input for all equipment within the confined space. (See Table 5.)
3. If combustion air is taken from outdoors through horizontal ducts, the openings and ducts MUST have at least 1 sq in. of free area per 2000 Btuh of the total input for all equipment within the confined space. (See Table 6.)

When ducts are used to supply air, they must be of the same cross sectional area as free area of openings to which they connect.

The minimum dimension of rectangular air ducts must not be less than 3 in.

Table 5—Combustion Air From Outdoors Through Vertical Ducts

58CLA FURNACE INPUT BTUH	FREE AREA PER OPENING (SQ IN.)	ROUND PIPE (IN. DIAM)
70,000	17.5	5
91,000	22.8	6
105,000	26.3	6
119,000	29.8	6
140,000	35.0	6
154,000	38.5	6

Table 6—Combustion Air From Outdoors Through Horizontal Ducts

58CLA FURNACE INPUT BTUH	FREE AREA PER OPENING (SQ IN.)	ROUND PIPE (IN. DIAM)
70,000	35.0	7
91,000	45.5	8
105,000	52.5	9
119,000	59.5	9
140,000	70.0	10
154,000	77.0	10

DUCT WORK RECOMMENDATIONS

⚠ WARNING

When supply ducts carry air circulated by furnace to areas outside spaces containing furnace, return air **MUST** also be handled by a duct sealed to furnace casing and terminating outside space containing furnace. Incorrect duct work termination and sealing will create a hazardous condition which could lead to bodily harm.

⚠ CAUTION

Return-air grilles and warm air registers **MUST NOT** be obstructed. Failure to follow this caution will result in premature failure of the heat exchanger.

The proper sizing of warm air ducts is necessary to ensure satisfactory furnace operation. Duct work should be in accordance with the latest editions of NFPA-90A (Installation of Air Conditioning and Ventilating Systems) and NFPA-90B (Warm Air Heating and Air Conditioning Systems) or Canadian equivalent.

The supply duct work should be attached to flanged front opening provided at discharge end of furnace. The return-air duct work should be attached to flanged rear opening of furnace. See Fig. 2 for dimensions of these openings.

NOTE: The back (blower access opening) should not be used for return air.

The following recommendations should be followed when installing duct work:

1. Install locking-type dampers in all branches of individual ducts to balance out system. Dampers should be adjusted to impose proper static at outlet of furnace.
2. A flexible duct connector of noncombustible material should be installed at unit on both supply- and return-air systems. In applications where extremely quiet operation is necessary, the first 10 ft (if possible) of supply and return ducts should be internally lined with acoustical material.

3. In cases where return-air grille is located close to fan inlet, there should be at least one 90° air turn between fan inlet and grille. Further reduction in sound level can be accomplished by installing acoustical air turning vanes or lining duct as described in item 2 above.
4. When a single air grille is used, duct between grille and furnace must be the same size as return opening in furnace.

VENTING

Venting of furnace should be to the outside and in accordance with local codes or requirements of local utility.

OIL-FIRED APPLIANCES SHALL BE CONNECTED TO FLUES HAVING SUFFICIENT DRAFT AT ALL TIMES TO ENSURE SAFE AND PROPER OPERATION OF APPLIANCE.

For additional venting information, refer to ANSI/NFPA 211 Chimney, Fireplaces, Vents, and Solid Fuel Burning Appliances and/or CSA B139 Installation Code.

This furnace is certified for use with Type "L" vent (maximum flue gas temperature 575°F).

Vent System Inspection

Before furnace is installed, it is highly recommended that any existing vent system be completely inspected.

For any chimney or vent, this should include the following:

1. Inspection for any deterioration in chimney or vent. If deterioration is discovered, chimney must be repaired or vent must be replaced.
2. Inspection to ascertain that vent system is clear and free of obstructions. Any blockage must be cleared before installing furnace.
3. Cleaning chimney or vent if previously used for venting a solid fuel burning appliance or fireplace.
4. Confirming that all unused chimney or vent connections are properly sealed.
5. Verification that chimney is properly lined and sized per the applicable codes. (Refer to list of codes in Safety Considerations section.)

Masonry Chimneys

This furnace can be vented into an existing masonry chimney. This furnace must not be vented into a chimney servicing a solid fuel burning appliance. Before venting furnace into a chimney, the chimney **MUST** be checked for deterioration and repaired if necessary. The chimney must be properly lined and sized per local or national codes.

If furnace is vented into a common chimney, the chimney must be of sufficient area to accommodate the total flue products of all appliances vented into chimney.

The following requirements are provided for a safe venting system:

1. Be sure that chimney flue is clear of any dirt or debris.
2. Be sure that chimney is not servicing an open fireplace.
3. Never reduce pipe size below the outlet size of furnace. (See Fig. 2.)
4. All pipe should be supported using proper clamps and/or straps. These supports should be at least every 4 ft.
5. All horizontal runs of pipe should have at least 1/4 in. per ft of upward slope.
6. All runs of pipe should be as short as possible with as few turns as possible.
7. Seams should be tightly joined and checked for leaks.

Table 7—Electrical Data

UNIT SIZE	VOLTS— HERTZ— PHASE—	OPERATING VOLTAGE RANGE		MAX UNIT AMPS	MIN WIRE GAGE	MAX WIRE LENGTH (FT)	MAX FUSE OR CKT BKR AMPS
		Max	Min				
105-12	115—60—1	132	104	12.2	14	26	15
120-20	115—60—1	132	104	15.7	12	26	20

8. The flue pipe must not extend into chimney but be flush with inside wall.
9. The chimney must extend 3 ft above highest point where it passes through the roof of a building and at least 2 ft higher than any portion of a building within a horizontal distance of 10 ft. It shall also be extended at least 5 ft above highest connected equipment flue collar.
10. Check local codes for any variance.

Factory-Built Chimneys

Listed factory-built chimneys may be used. Refer to chimney manufacturer’s instructions for proper installation.

OIL BURNER

This furnace is supplied with a high-pressure atomizing retention head-type burner (for use with grade 1 or 2 fuel oil). The mounting flange is fixed to burner air tube and no adjustment is required for insertion length

OIL CONNECTIONS

Complete instructions for installing fuel oil piping can be found in oil burner Installation Instructions included with furnace.

Oil line entry holes are provided in side panels. Two holes are provided in each location so that a 2-pipe system may be used if desired.

An oil filter should be used with all oil burners and should be installed as close to burner as possible.

BAROMETRIC DRAFT CONTROL

The barometric draft control shipped with furnace **MUST** be used with furnace to ensure proper operation. Instructions for installing control are packed with control.

ELECTRICAL CONNECTIONS

⚠ WARNING

The unit cabinet must have an uninterrupted or unbroken electrical ground to minimize personal injury if an electrical fault should occur. A green ground screw is provided in control box for this connection.

115-v Wiring

Before proceeding with electrical connections, make certain that voltage, frequency, and phase correspond to that specified on unit rating plate. Also, check to be sure that service provided by utility is sufficient to handle load imposed by this equipment. Refer to rating plate or Table 7 for equipment electrical specifications.

Make all electrical connections in accordance with National Electrical Code (NEC) ANSI/NFPA 70-2001 and any local codes or ordinances that might apply. For Canadian installations, all electrical connections must be made in accordance with Canadian Electrical Code CSA C22.1 or subauthorities having jurisdiction.

⚠ CAUTION

Do not connect aluminum wire between disconnect switch and furnace. Use only copper wire. Failure to follow this caution will lead to intermittent electrical operation and/or fire hazard.

The control system depends on correct polarity of power supply. Connect HOT wire (H) and NEUTRAL wire (N) as shown in Fig. 3 or 4.

A separate line voltage supply **MUST** be used with a fused disconnect switch or circuit breaker between main power panel and unit. (See Fig. 3 or 4.)

Metallic conduit (where required/used) may terminate at side panel of unit. It is not necessary to extend conduit inside unit from side panel to control box.

When replacing any original furnace wiring, use only 105°C No. 14 AWG copper wire.

24-V Wiring

Instructions for wiring thermostat (field supplied) are packed in thermostat box. Make thermostat connections as shown in Fig. 3 or 4 at 24-v terminal board on fan timer board.

Accessories

When installing optional accessories to this appliance, follow manufacturer’s Installation Instructions included with accessory. Other than wiring for thermostat, wire with a minimum of type “T” insulation (63°F rise) must be used for accessories.

FILTERS

⚠ WARNING

Never operate unit without a filter or with filter access door removed. Failure to adhere to this warning could lead to a hazardous condition which could lead to equipment damage and bodily harm.

An internal filter rack is provided as standard equipment with furnace and is located in blower compartment. A sufficient clearance should be provided for air filter access. See Table 8 for filter rack flange dimensions for return air duct.

Table 8—Filter Size (In.) and Quantity

UNIT SIZE	AIR FILTER SIZE	RETURN OPENING SIZE	SUPPLY OPENING SIZE
105-12	(2) 12 X 20	20 X 20	20 X 20
120-20	(2) 16 X 20	22 X 20	24 X 20

**START-UP, ADJUSTMENT, AND SAFETY CHECKOUT
Step 1—Operational Checkout**

⚠ WARNING

DO NOT TAMPER WITH UNIT OR CONTROLS—CALL YOUR SERVICE TECHNICIAN. Failure to follow this warning could result in personal and/or property damage.

Installation of furnace is now complete. Run through the following checkout and ensure each item has been performed.

1. Correct nozzle size has been selected for desired input rate.
2. Blower wheel support is removed.
3. Electrical wiring is completed according to Fig. 3 or 4.
4. Blower access door is secured in place.
5. Valve on oil supply line is open.
6. RESET BUTTON on primary control is pushed down.
7. Flame observation door is closed.
8. Thermostat is set for heating mode and set above room temperature.

If all of the above items have been performed, set main electrical switch to ON position and burner should start. When burner starts, proceed to Combustion Check section.

Step 2—Combustion Check

In order to obtain optimum performance from oil burner, the following setup procedures must be followed:

1. A test kit to measure smoke, stack draft, over-fire draft, oil pump pressure, CO₂, and stack temperatures MUST be used in order to obtain proper air band setting. Although all of the above measurements are required for optimum setup and efficiency data, the most important readings that must be taken are smoke number, over-fire draft, stack draft, and pump pressure.
2. The proper smoke number has been established by engineering tests to be between 0 and 1. This degree of smoke emission is commonly referred to as a “trace” of smoke. It is recommended to use a Bacharach true spot smoke test set or equivalent.
3. In order to ensure proper draft through furnace, a barometric draft regulator (supplied with furnace) must be installed. In order for this device to function properly, barometric damper must be mounted with hinge pins horizontal and face of damper vertical. (See instructions included with damper.) The draft regulator should be adjusted after furnace has been firing for at least 5 minutes, and set between -0.025 and -0.035 in. wc. (See Table 9.)

Table 9—Furnace Draft Conditions (In. WC)

FURNACE INPUT (BTUH)	FLUE DRAFT MINIMUM	OVER-FIRE DRAFT MAXIMUM	TOTAL RESTRICTION THROUGH HEAT EXCHANGER
70,000	-0.025	0.010	0.020 to 0.035
91,000	-0.025	0.020	0.030 to 0.045
105,000	-0.025	0.025	0.035 to 0.050
119,000	-0.025	0.025	0.035 to 0.050
140,000	-0.025	0.025	0.035 to 0.050
154,000	-0.025	0.025	0.035 to 0.050

4. The over-fire draft, which is taken through observation door (located in center line above burner in front panel of furnace), is a measurement necessary to determine if there is a blockage between oil burner and flue outlet.
There should be a total pressure drop of between 0.020 and 0.05 in. wc through furnace as shown in Table 9. The over-fire draft must be set within the range shown in Table 9. A reading outside the range shown in Table 9 (for example +0.1 in. wc) would indicate that furnace is in an extremely high-pressure condition in primary section. This condition may be caused by any of the following problems:
 - a. Excessive combustion air due to air shutter being too wide open.

- b. A lack of flue draft (chimney effect) or some other blockage, such as soot, in secondary section of heat exchanger.
- c. Use of an oversized nozzle input.
- d. Pump pressure over the values listed in Table 10.

5. The CO₂ and stack temperature instruments enable you to obtain data required to determine thermal efficiency of furnace.
6. An oil filter should be installed as close to burner as possible with ALL oil burners and is essential on lower firing rate burners. We recommend the use of a low pressure drop oil filter such as the General Filter, Inc. model #1A-25A or equivalent.

- 7. The oil pressure regulator is factory set to give oil pressure of 130 psig for the model having 105,000 BTUH input and 130 psig for the model having 119,000 BTUH input. The firing rate noted on nameplate may be obtained using the **nozzles and pump pressures** indicated in Table 10.
8. On a new installation, air entrapped in oil line leading from tank to nozzle must be thoroughly purged in order to prevent excessive after drip. The oil pump is provided with a special fitting which allows purging of any air between tank and oil pump. The proper procedure for performing this operation is as follows:
 - a. Place a piece of clear plastic 1/4-in. diameter tubing over purge fitting on oil pump.
 - b. Start oil burner, then open purge fitting and allow burner to run until purge tube is completely free of air bubbles.
 - c. Tighten purge fitting. Allow oil to run to nozzle and fire burner.
 - d. If purging takes longer than 15 sec and no flame has been established, burner stops. Push reset button on front of primary control to restart burner.
 - e. For detailed information on operation of primary control, refer to instructions included with furnace.

After all the setup procedures mentioned above have been completed, the burner should be allowed to operate and an inspection mirror should be used to observe the flame pattern at tip of nozzle. Any irregularities such as burning to 1 side or pulsating flame patterns should be corrected by changing nozzle.

Step 3—Fan Adjustment Check

This furnace is equipped with a 4-speed direct-drive motor to deliver a temperature rise within range specified on rating plate, between return and supply plenums, at external duct static pressure noted on rating plate.

⚠ WARNING

When operating furnace in heating mode, static pressure and temperature rise (supply-air temperature minus return-air temperature) must be within those limits specified on rating label. Failure to follow this warning could lead to severe furnace damage.

Adjust fan speed ACCORDING TO OIL INPUT SELECTED so that temperature rise is within rise range specified on rating plate. (See Table 11.) Consult wiring diagram for speed changes on direct-drive motor.

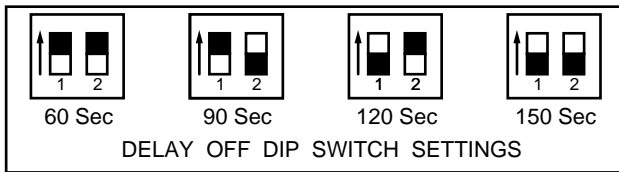
To adjust fan off time, set DIP switches on control board to obtain desired timing. (See Fig. 5.)

→ **Table 10—Burner Input and Nozzle Size and Pump Pressure**

FURNACE INPUT (BTUH)	INPUT USGPH	NOZZLE	REAL PUMP PRESSURE	SPECIFICATION PUMP PRESSURE
70,000	0.50	0.50-70W	100	100
91,000	0.65	0.55-70B	140	140
105,000	0.75	0.65-70B	133	130
120,000	0.85	0.75-70B	128	130
140,000	1.00	0.85-70B	138	140
155,000	1.10	0.85-70B	167	170

Table 11—Speed Selection

UNIT SIZE	FURNACE INPUT (BTUH)	RECOMMENDED BLOWER SPEED
105-12/ 120-20	70,000/119,000	Med-Low
	91,000/140,000	Med-High
	105,000/154,000	High



A95115

Fig. 5—Fan Off Time DIP Switch Settings (Black Box Represents Switch Position)

Step 4—Limit Control Check

After furnace has been in operation for at least 15 minutes, restrict return-air supply by blocking filters or closing return registers and allow furnace to shut down on high limit. The burner should shut off, and main blower should continue to run.

Remove restriction, and burner should come back on in a few minutes.

Step 5—For Year-Round Air Conditioning

This furnace is designed for use in conjunction with cooling equipment to provide year-round air conditioning. The blower has been sized for both heating and cooling, however, fan motor speed may need to be changed to obtain necessary cooling airflow.

Step 6—Heating

The blower speed is factory set to deliver required airflow at normal duct static pressure.

Step 7—Cooling

The blower speed may be field adjusted to deliver required airflow for cooling application. (See Table 12.)

Step 8—Constant Blower Switch

This furnace is equipped with a constant low-speed blower option. Whenever room thermostat is not calling for heating or cooling, blower runs on low speed in order to provide air circulation. If constant blower option is not desired, the rocker switch on top of cabinet may be used to turn off constant speed.

MAINTENANCE

⚠ WARNING

The ability to properly perform maintenance on this equipment requires certain expertise, mechanical skills, tools, and equipment. If you do not possess these, do not attempt to perform any maintenance on this equipment other than those procedures recommended in the User's Manual. FAILURE TO FOLLOW THIS WARNING COULD RESULT IN POSSIBLE DAMAGE TO THIS EQUIPMENT, SERIOUS PERSONAL INJURY, OR DEATH.

⚠ WARNING

Before performing any service functions, unless operations specifically require power to be on, make sure all utilities are turned off upstream of appliance. Failure to comply with this warning will cause a fire hazard and/or bodily harm.

⚠ WARNING

To avoid personal injury, make sure electrical supply power is off before servicing. Failure to follow this warning could lead to electrical shock, fire, or death.

Step 1—General

In order to keep this furnace in good operating condition and to maintain its warranty, the furnace **MUST** be serviced on an annual basis. This servicing includes a nozzle change, a burner inspection, a visual check of tube passages through flue outlet and cleanout ports, and a visual inspection of combustion chamber when burner is removed.

Depending on above inspection, service could also include a cleaning and vacuuming of heat exchanger tubes and possibly the heat exchanger drum section.

Removal of any heat exchanger components which are sealed by gaskets requires replacement of gasket.

⚠ WARNING

Failure to replace any heat exchanger gaskets with new gaskets when any heat exchanger plates or covers are removed could lead to heat exchanger leakage, sooting, and/or a hazardous condition capable of causing bodily harm.

This furnace should never be operated without an air filter. Disposable filters should be replaced at least once a year. If equipped to provide cooling, filters should be replaced a minimum of twice a year. Permanent filters should be cleaned at least twice a year.

NOTE: ALWAYS KEEP MAIN OIL VALVE TURNED OFF IF BURNER IS SHUT DOWN FOR AN EXTENDED PERIOD OF TIME.

Step 2—Oil Burner

For optimum performance, oil burner nozzle should be replaced once a year. Contact your service technician if you are unsure of this procedure.

The procedure for nozzle installation and/or replacement is outlined in oil burner instruction manual which came with furnace.

After replacement of nozzle, burner should be adjusted in accordance with Combustion Check section of this instruction.

Table 12—Airflow Data (CFM)

UNIT SIZE	BLOWER SPEED	EXTERNAL STATIC PRESSURE IN. WC							
		0.2	0.3	0.4	0.5	0.6	0.7	0.8	0.9
105-12	High	1425	1350	1305	1250	1170	1030	925	805
	Med-High	1130	1045	1000	950	885	820	745	670
	Med-Low	840	810	770	740	685	635	580	500
	Low	725	730	740	745	730	715	690	665
120-20	High	2080	2041	1965	1864	1702	1576	1474	1336
	Med-High	1892	1859	1770	1675	1550	1449	1330	1217
	Med-Low	1556	1475	1394	1318	1211	1134	1051	938
	Low	1221	1164	1081	998	926	855	782	653

NOTES:

1. Airflow values in cubic ft per minute (CFM) rounded to nearest 5 CFM.
2. Data taken with filters in place.

Step 3—Heat Exchanger and Flue Pipe

Ordinarily, it is not necessary to clean heat exchanger or flue pipe every year, but it is necessary to have your service technician check unit before each heating season to determine whether cleaning or replacement of parts is required.

If cleaning is necessary, the following steps should be performed:

1. Turn off all oil and electrical supplies upstream of furnace.

⚠ CAUTION

If furnace has been in operation, some surfaces may be hot. Allow time for unit to cool down personal injury will result.

2. Disconnect flue pipe.
3. Remove flue collar panel located in rear part of furnace.
4. Remove flue silencer from secondary heat exchanger.
5. Disconnect oil line and remove oil burner from furnace.
6. Clean primary and secondary heat exchangers with a stiff brush and vacuum cleaner.

7. Before reassembly, heat exchanger/combustion chamber should be inspected to determine if replacement is required.
8. After cleaning, replace flue silencer, flue collar, and oil burner.
9. Readjust burner for proper operation.

Step 4—Blower Removal

To remove blower from furnace:

1. Turn off all oil and electrical supplies upstream of furnace.
2. Remove blower access door.
3. Remove air filters.
4. Remove blower retaining wing nuts.
5. Slide blower on rails toward rear of unit.
6. Reverse items 1 through 5 to reinstall blower. Refer to wiring diagram (Fig. 3 or 4) of these instructions or diagram located on inside of blower door to properly rewire unit.

Manufacturer reserves the right to discontinue, or change at any time, specifications or designs without notice and without incurring obligations.